

## NATIONAL HIGHWAY SYSTEM

- The National Highway System (NHS) was developed in 1987
- These highways include primary routes that support inter-provincial and international trade and travel
- The Saskatoon Freeway includes three national highways:
  - Provincial Highway 11
  - Provincial Highway 16
  - Provincial Highway 7
- Saskatchewan's NHS Network carries approximately 70% of all provincial highway travel



Saskatchewan National Highways

## LEVEL OF SERVICE

- Level of Service (LOS) is a qualitative measure used to relate the quality of the road user's driving experience



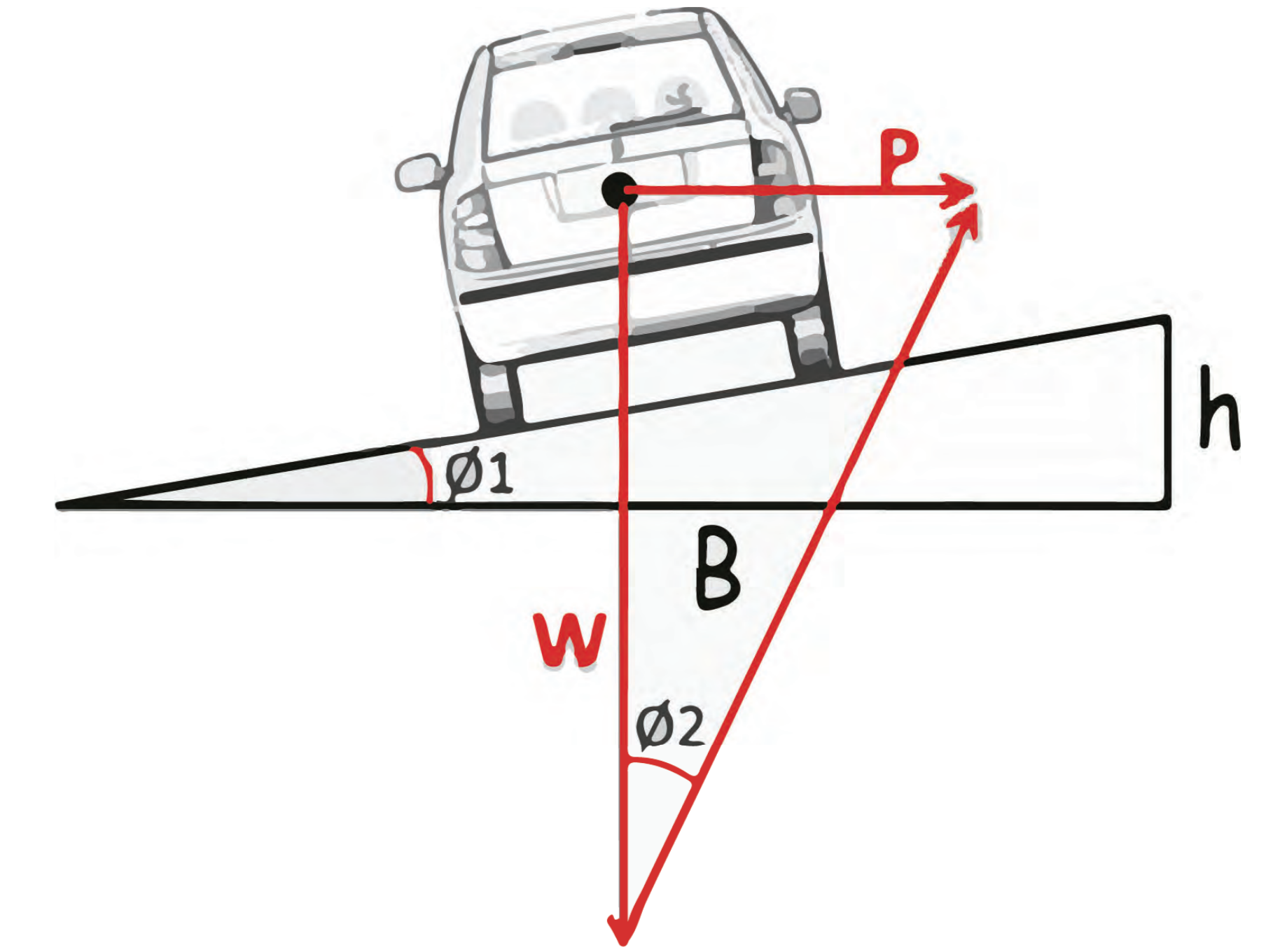
LOS A

LOS C

LOS F

## GEOMETRIC DESIGN

- Geometric design deals with the positioning of the roadway elements dealing including:
  - Cross Sectional Elements
  - Horizontal & Vertical Alignments
  - Intersection Elements
  - Roadside Traffic Guidance



## INTERCHANGES

- Types of Interchanges:
  - **System Level Interchange**  
These are most often used between National Highways in Saskatchewan (80 - 100 km/hr directional ramps).
  - **Service Level Interchange**  
These are most often used between freeways and arterial roads (50 - 65 km/hr ramps).



Regina Bypass System Level Interchange

## DESIGN SPEED

- Design speed is a selected speed used to determine the various geometric features of the roadway

